

- \* Front wall is 2 mm 'S235JR or equivalent'
- \* Side walls is 2 mm 'S235JR or equivalent'
- \* Rear wall is 3 mm 'S235JR or equivalent'
- \* Base floor is 3 mm 'S235JR or equivalent'
- \* All inside frame 80x80 profile
- \* Outside outer retaining posts 100 x100 mm profile
- \* Usable volume of equipment is 15,3 m<sup>3</sup> (12,7 + 2,6 m<sup>3</sup>) \* 2 Basket
- \* Estimated steel weights of 2 steel body: 6300 Kg ± %5 without truck chassis
- \* Unloading height is: 3210 mm from truck chassis

NOTICE:

\* 'Büyükyüksel Damper Hid. Mak. San. Tic. Ltd. Şti.' has adopted principle of continuous improvement its products  
 \* 'Büyükyüksel Damper' reserves the right to make changes in technical dimensions and features without prior notice  
 \* So; this technical drawing is given to be added to the contract annex and it is for only informational purposes

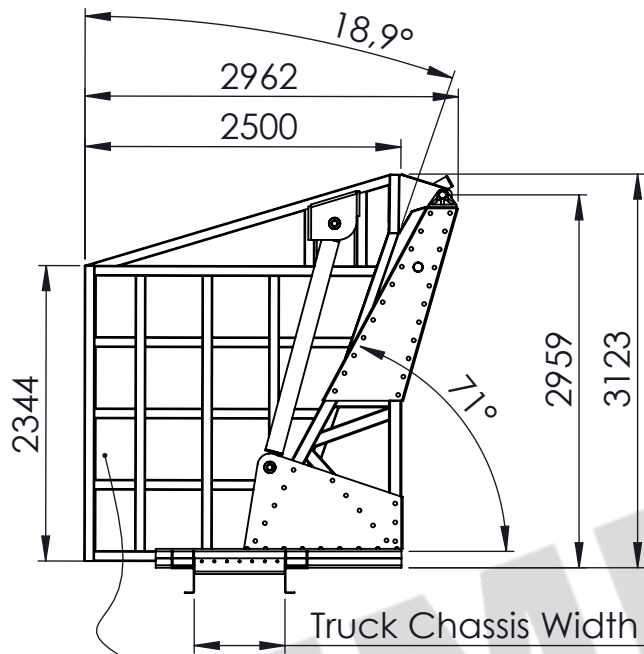
	Name	Date & Signature
Designer	A.TAŞDELEN	
Control	A.ADIYAMAN	
Approval	O.ADIYAMAN	
Type Approval	e5*2018/858*00075*00	
Q.M.S. / No.	ISO 9001:2015 / QMS-0104558	
Product Code	STSC00TB15	
Product Name	High Lift Side Dump Box & Wagon	



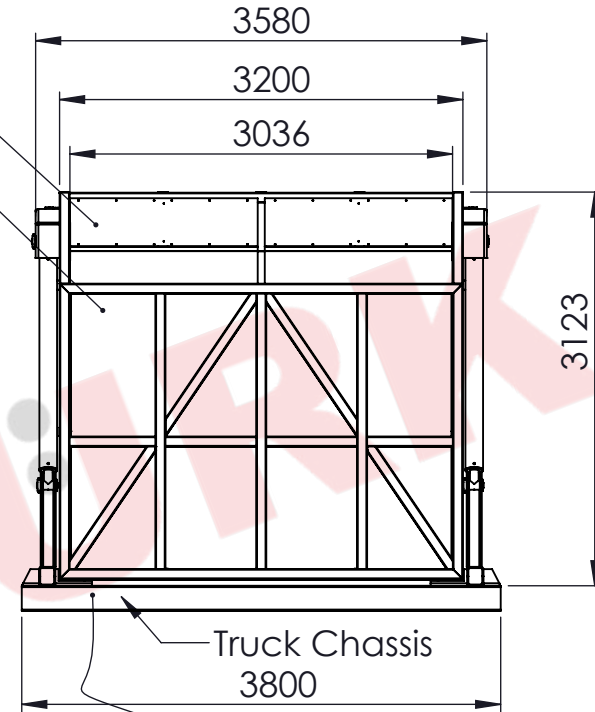
Trademark Name: **SEMİTÜRK**

www.yukseldamper.com.tr  
 www.semiturk.com.tr  
 info@yukseldamper.com.tr  
 +90 530 610 1432 / +90 332 239 1860

All rights of this picture belong to BÜYÜKYÜKSEL DAMPER LTD. ŞTİ. So, it can not be reproduced, copied and published without permission



Rear Wall  
Front Wall




- \* Front wall is 2 mm 'S235JR or equivalent'
- \* Side walls is 2 mm 'S235JR or equivalent'
- \* Rear wall is 3 mm 'S235JR or equivalent'
- \* Base floor is 3 mm 'S235JR or equivalent'
- \* All inside frame 80x80 profile

- \* Outside outer retaining posts 100 x100 mm profile
- \* Usable volume of equipment is 15,3 m<sup>3</sup> (12,7 + 2,6 m<sup>3</sup>)
- \* Estimated steel weights of 1 steel body: 3150 Kg ± %5 without truck chassis
- \* Unloading height is: 3210 mm from truck chassis
- \* "The buyer" accepts and undertakes that it is responsible for any problems that may arise due to any non-compliance with the traffic regulations of own country (about sizes)

- \* Truck chassis of buyer (Seller don't provide it)
- \* Chassis dimensions were sent by the buyer and the dimensions were checked and approved by the buyer

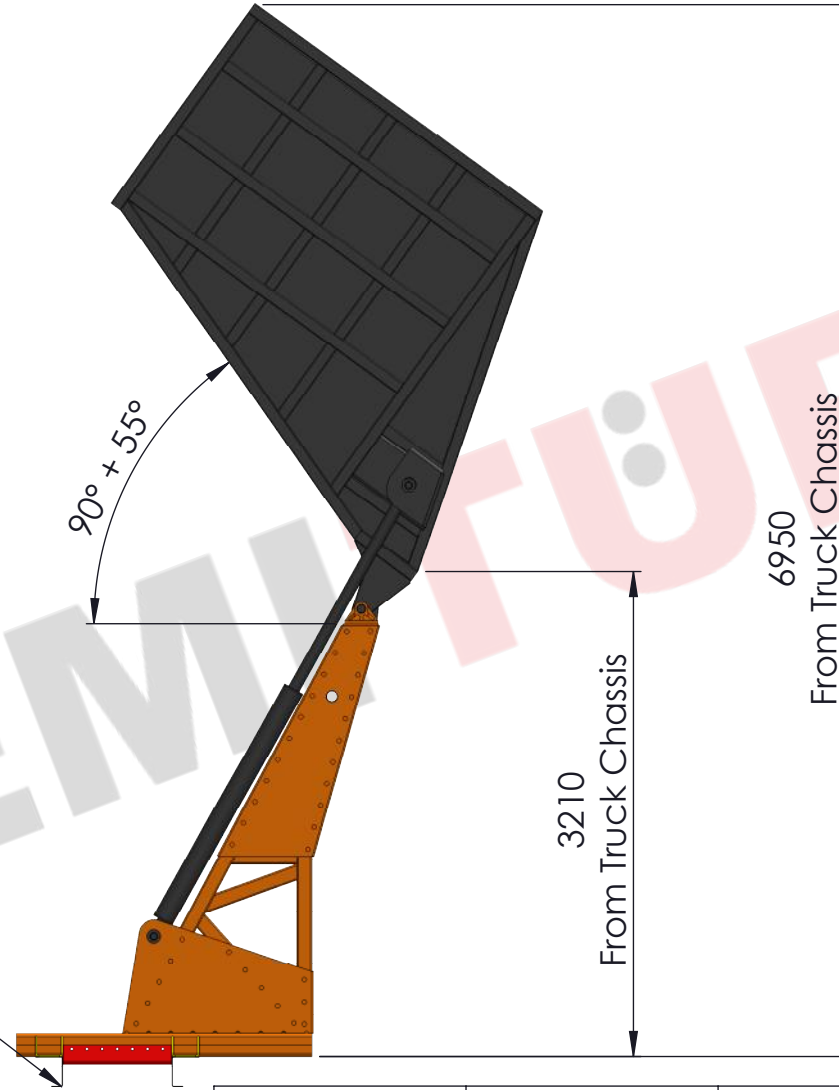
NOTICE:

- \* 'Büyükyüksel Damper Hid. Mak. San. Tic. Ltd. Şti.' has adopted principle of continuous improvement its products
- \* 'Büyükyüksel Damper' reserves the right to make changes in technical dimensions and features without prior notice
- \* So; this technical drawing is given to be added to the contract annex and it is for only informational purposes

	Name	Date & Signature	 <p><b>Trademark Name: SEMİTÜRK</b></p> <p>www.yukseldamper.com.tr www.semiturk.com.tr info@yukseldamper.com.tr +90 530 610 1432 / +90 332 239 1860</p>
Designer	A.TAŞDELEN		
Control	A.ADIYAMAN		
Approval	O.ADIYAMAN		
Type Approval	e5*2018/858*00075*00		
Q.M.S. / No.	ISO 9001:2015 / QMS-0104558		
Product Code	STSC00TB15		
Product Name	High Lift Side Dump Box & Wagon		


All rights of this picture belong to BÜYÜKYÜKSEL DAMPER LTD. STI. So, it can not be reproduced, copied and published without permission

TRUCK CHASSIS



NOTICE:

\* 'Büyükyüksel Damper Hid. Mak. San. Tic. Ltd. Şti.' has adopted principle of continuous improvement its products  
\* 'Büyükyüksel Damper' reserves the right to make changes in technical dimensions and features without prior notice  
\* So; this technical drawing is given to be added to the contract annex and it is for only informational purposes

	Name	Date & Signature	 DAMPER HİD. MAK. SAN. TİC. LTD. ŞTİ.
Designer	A.TAŞDELEN		
Control	A.ADIYAMAN		
Approval	O.ADIYAMAN		<b>Trademark Name: SEMITÜRK</b>
Type Approval	e5*2018/858*00075*00		www.yukseldamper.com.tr
Q.M.S. / No.	ISO 9001:2015 / QMS-0104558		www.semiturk.com.tr
Product Code	STSC00TB15		info@yukseldamper.com.tr
Product Name	High Lift Side Dump Box & Wagon		+90 530 610 1432 / +90 332 239 1860
<b>All rights of this picture belong to BÜYÜKYÜKSEL DAMPER LTD. ŞTİ. So, it can not be reproduced, copied and published without permission</b>			