



SEMİTÜRK



BÜYÜKYÜKSEL DAMPER VE HİDROLİK MAK. SAN. TİC. LTD. ŞTİ.

TRADEMARK NAME: SEMİTÜRK

FEVZİ ÇAKMAK MAH. MEDCEZİR CAD. NO: 8/116 B BLOK KONYA / TÜRKİYE

www.yukseldamper.com.tr - www.semiturk.com.tr

E-mail: info@yukseldamper.com.tr - Tel: +90 332 239 1860 / +90 530 610 1432



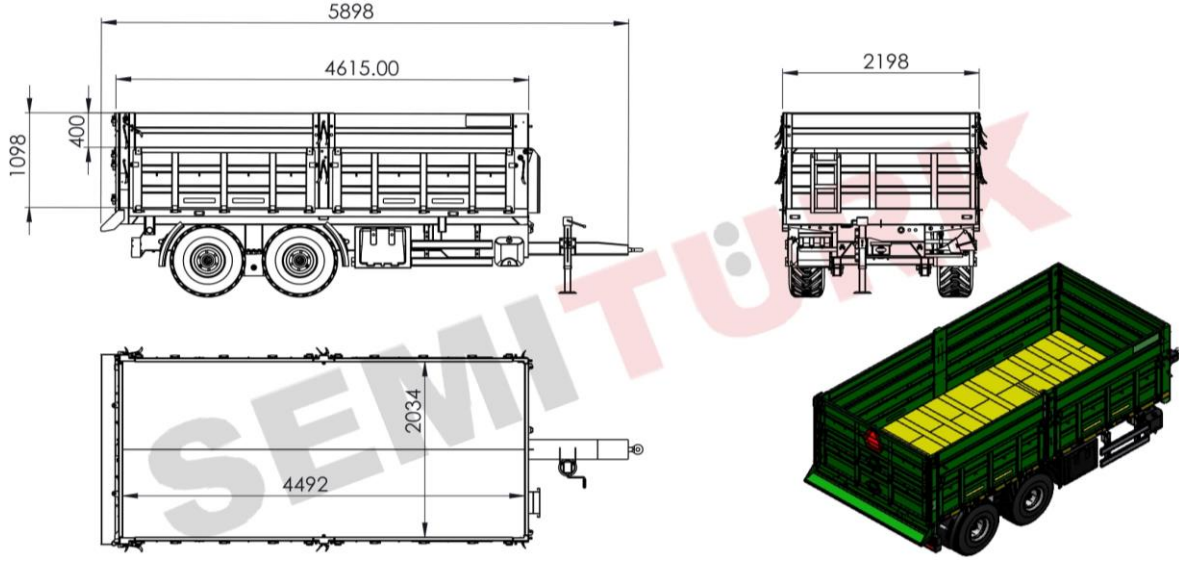
BÜYÜKYÜKSEL

DAM.HİD.MAK.SAN.TİC.LTD.ŞTİ.

SEMITÜRK

MODEL:

ST-TA-10F2 Double Axle Agricultural Tipper Trailer



Double Axle Tipper Trailer

ST-TA-10F2

Weights & Dimensions (± %5)	Product Type	10 Tons Capacity Tandem / Double Axle Agricultural or Cargo Tipper Trailer
	Side and Add. Gates	700 mm side gates and 1 row 40 cm additional gates (<u>optional</u> sizes and add. gate options)
	Loading Platform Height	1.075 mm from ground (varies depending on <u>optional</u> options)
	Load Capacity	10.000 kg (varies depending on <u>optional</u> options)
	Usable Net Volume	10 m ³ / Net usable volume (varies depending on <u>optional</u> sizes and additional gate options)
	Tare Weight	2.500 kg (varies depending on <u>optional</u> options)
Body / Chassis	Main chassis are produced as 'I-shaped' from 'ST52' quality steel. Other body/structure metal parts produced from 'ST52' quality steel (or <u>optional</u> other material options according to needs)	
Floor Sheet and Gate/s Thickness	Floor sheet 3 mm, Side - front - rear gates 2 mm, Add. gates 2 mm (or <u>optional</u> other options)	
Axles	11/13-100 Profile 1 fixed axle and 1 with brake axle, totally 13 tons capacity or <u>optional</u> options	
Suspension System	Tandem type mechanical suspension hardware (or <u>optional</u> other compatible combinations)	
Tires	4 unit 400/60-15.5" size tyre and 13.00x15.5" size rim set or <u>optional</u> other combinations	
Tipping Mechanism	Rear tipping mechanism as hydraulic controlled that driven by tractor PTO (min. 40 Hp and more)	
Hydraulic System	3 or 4 stage telescopic hydraulic cylinder, Hydraulic oil tank and required hydraulic hardware	
Brake System	Hydraulic brake system and hardware or <u>optional</u> other compatible combinations	
Electrical Hardware	12 V lighting hardware, Electrical socket, 2 tail light, 2x2 side, 2 front lamps	
Drawbar Eye / Towing Eye	1 pcs 18 tons capacity trailer drawbar eye that flanged model and made of forged steel	
Trailer Jack	Mechanically trailer jack, Adjustable with gear, Heavy model / 5 Tons capacity	
Paint (with up to date RAL colour options)	Metal parts are painted 1-layers anti-corrosive epoxy primer then top acrylic paint coat	
Standard Accessories	4 x half mudguards, 1 x Wheel nut wrench, 1 x Rear towbar, 1 x Steel or <u>optional</u> aluminium ladder, 1 x Water tank "plastic", 2 x Wheel chock and holder, Lockable tool box, Lateral protection devices, Red reflector at rear, White or yellow reflector at sides, English user manual	
<u>Optional</u> Accessories	Spare tyre and rim set with holder, Tent and its hardware, Second oil and air sockets	

BÜYÜKYÜKSEL DAMPER VE HİDROLİK MAK. SAN. TİC. LTD. ŞTİ.

TRADEMARK NAME: SEMITURK

FEVZİ ÇAKMAK MAH. MEDCEZİR CAD. NO: 8/116 B BLOK KONYA / TÜRKİYE

www.yukseldamper.com.tr - www.semiturk.com.tr

E-mail: info@yukseldamper.com.tr - Tel: +90 332 239 1860 / +90 530 610 1432

 **BÜYÜKYÜKSEL**
DAM.HİD.MAK.SAN.TİC.LTD.ŞTİ.
SEMITURK